

# MARINE

## SHIPBOARD CABLES

### ShawFlex IEC Marine Shipboard Cables

ShawFlex offers cables with Low Smoke Zero Halogen (LSZH) capabilities for use in generation stations, transit applications, or anywhere that there is a concern of damage caused by smoke to instruments in your installation. We offer unarmoured, armoured and tray cable versions of this cable to suit your needs.

#### Features

- 40°C cold bend rated
- 35 °C cold impact rated
- UV sunlight resistant "SUNRES" (all colours)

#### Approvals

- IEC 60092-350, IEC 60754-1, IEC 61034-1&2
- IEC 60092-353 (Control & Power)
- IEC 60092-376 (Instrumentation)
- IEC 60332-3-22 Category A (Flame Propagation Testing)
- American Bureau of Shipping
- Transport Canada
- Lloyd's Register

#### Specifications

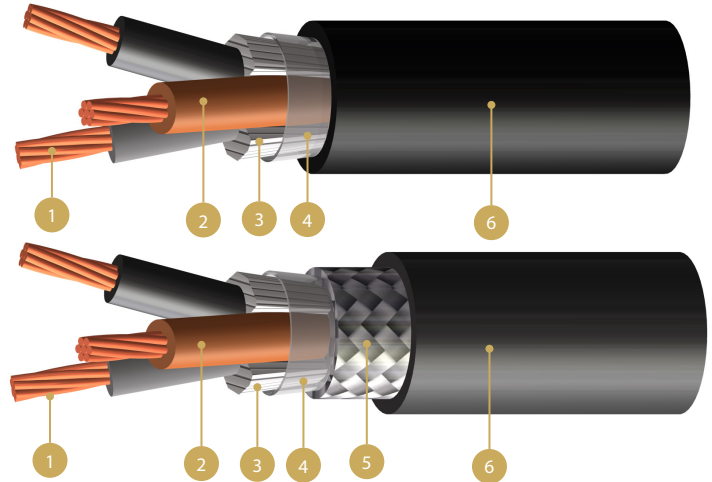
Voltage	Power/Control: 600V/1000V Instrumentation: 250 V
Conductors	Flexible metric sized bare (standard) to IEC 60228 Class 5
Insulation	90°C Halogen free XLPE IEC 60092-351
Colour Code	Instrumentation: blue & white number coded pairs Multi-conductor: 2C - brown, blue 3C - black, brown, grey 4C - black, blue, brown, grey 5C or more- black, number coded
Shield	Aluminum/mylar foil with drain wire Tinned copper braid
Jacket	85°C LSZH thermoplastic, black (colours available) SHF1 IEC 60092-359
Armour (optional)	Tinned copper braid Bronze braid

#### Head Office

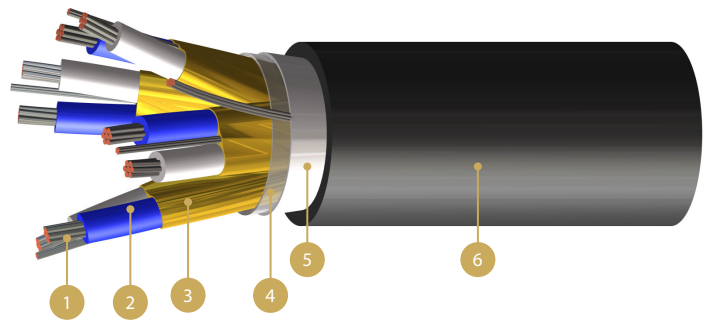
ShawFlex  
A division of ShawCor Ltd.  
25 Bethridge Rd.  
Toronto, Ontario  
Canada M9W 1M7, Canada  
Tel: +1 416 743 7111

[shawflex.com](http://shawflex.com)

Please note: Although the content used for this brochure has been produced and processed from sources believed to be reliable, no warranty, expressed or implied, is made regarding accuracy, adequacy, completeness, legality, reliability or usefulness of any information V.3



1. Bare or Tinned Copper Wires
2. Halogen Free XLPE Insulated Conductors
3. Polypropylene Fillers
4. Polyester Separator Tape
5. Braided Armour
6. Protective LSZH Jacket



1. Bare Copper Stranded Conductors (Tinned Available)
2. Halogen Free XLPE Insulated Conductors
3. Individual Aluminum/Mylar Shielded Pairs with Tinned Copper Drain Wire
4. Polyester Separator Tape
5. Overall Aluminum/Mylar Shield with Tinned Copper Drain Wire
6. Protective LSZH Jacket



**SHAWFLEX**

A SHAWCOR COMPANY